

LINK[®] MORTUARY
EQUIPMENT

INSTALLATION INSTRUCTIONS & PARTS LIST

SR75 (78113A02)



223 15th St. N.E.
Sioux Center, IA USA
51250-2120
www.linkmortuaryequipment.com

**QUESTIONS?
CALL CUSTOMER
SERVICE
1-800-248-3057**

The **Link SR75** fits the 2021 and newer Chevrolet Suburban and GMC Yukon XL.

Link Mortuary Equipment, a division of Link Mfg., Ltd.
www.linkmortuaryequipment.com

78113023
AUG 8, 2023

IMPORTANT: IT IS IMPORTANT THAT THE ENTIRE INSTALLATION INSTRUCTIONS BE READ THOROUGHLY BEFORE PROCEEDING WITH THE INSTALLATION.

1. INTRODUCTION

Thank you for choosing a Link Mortuary Equipment SR75. We want to help you get the best results from this suspension and to operate it safely. This instruction contains information to assist in the installation of the Link Mortuary Equipment SR75. This instruction is intended solely for use with this product.

All information in this instruction is based on the latest information available at the time of printing. Link Manufacturing reserves the right to change its products or manuals at any time without notice.

Damaged components should be returned to Link with a pre-arranged Returned Materials Authorization (RMA) number through the Customer Service Department. The damaged component may then be replaced if in compliance with warranty conditions.

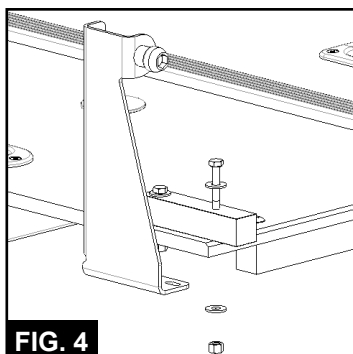
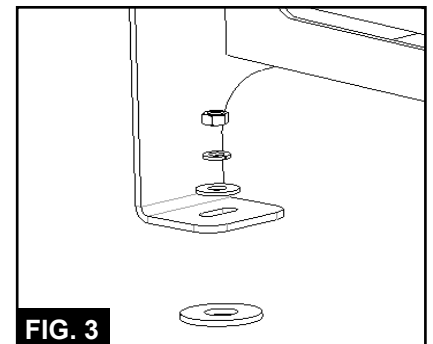
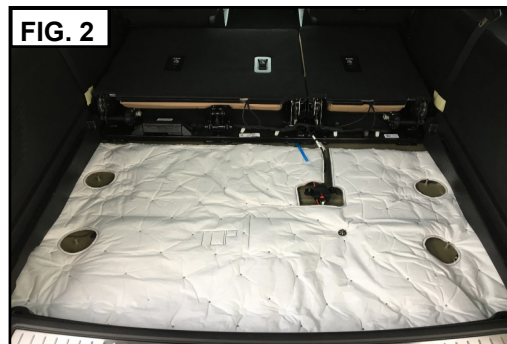
Review the **Parts List** on **Page 3** to become familiar with the different components of the **SR75**. Be sure all items are included before beginning assembly.

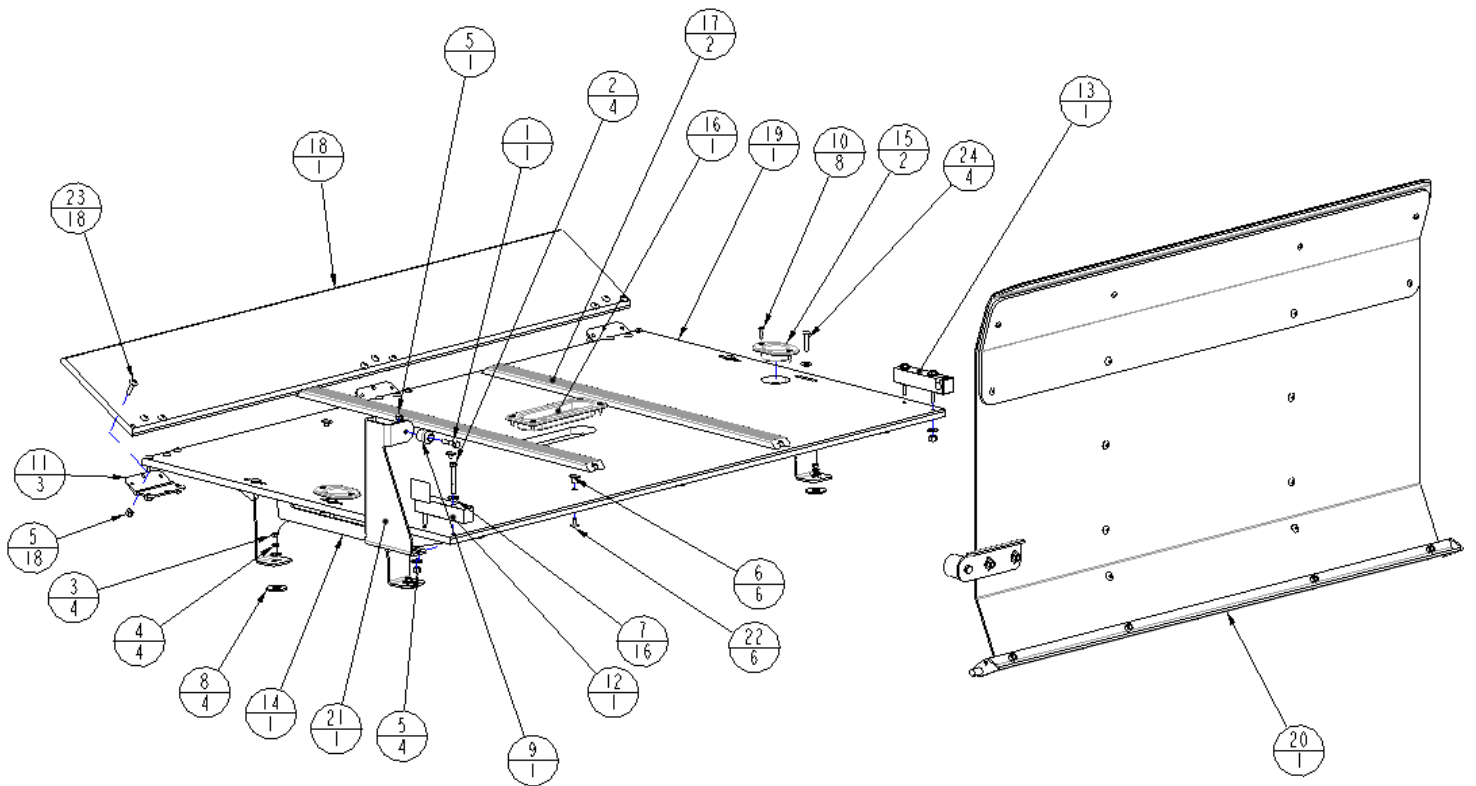
IMPORTANT: Installation of the **SR75** may vary depending on what type of vehicle you have and how it is set up. Due to variables in different vehicles, the fit of the **SR75** should be evaluated before beginning installation.

- A. The SR75 is held down using mounting studs for the cargo organizer. Open the organizer, remove the (4) fasteners holding the organizer to the vehicle, and lift and remove cargo organizer. **(Fig. 1-2)**
- B. Place a 1/2" washer on each of the (4) mounting studs which held down the organizer. Place the mount bracket on the studs. Secure the mount bracket to the studs using (4) 1/4" washer, (4) M6 lock washers, and (4) M6 nuts. **(Fig. 2-3)**
- C. The ramp stop bracket (Item #21) is shipped unattached. See **Fig. 4** for details on attaching it. Remove the two bolts that hold on the ramp mount block (Item # 12), and then attach the bracket and the ramp mount block using the bolts that were just removed. **Note:** There is some adjustment that can be made with the ramp holder bracket on the ramp to properly align the ramp holders.
- D. Place the ramp bracket on the mount plate. Secure the ramp bracket to the mount plate with (4) 1/4" x 1 1/4" screws and (4) 1/4" washers. **(Fig. 5)**
- E. Snap the rear ramp into place and confirm proper fit of the unit. Slide the deck on the mounting slots to find the ideal mounting location. With the deck positioned, check all clearance issues. Leave adequate clearance between the deck/ramp and the vehicle components.

Maintenance:

- A. Clean with soap and water or window cleaner.
- B. To insure the ease of ramp operation, you may lubricate the female ramp holder with silicone. Use lube sparingly.
- C. Call Link Mortuary Equipment 1-800-248-3057 with any questions or comments.





ITEM	DESCRIPTION	QTY
1	1/4 X 1 1/4 UNC HEX CAP SCR	1
2	1/4 X 2 UNC HEX CAP SCR	4
3	HEX NUT, M6 X 1	4
4	LOCK WASHER, M6	4
5	1/4 UNC HEX NYLOCK NUT	23
6	1/4-20 X 7/16 WELD NUT	6
7	1/4 WASHER	16
8	1/2 WASHER	4
9	RAMP HOLDER, MALE END	1
10	#10 X 3/4 SS FLAT HD TAP SCR	8
11	BRASS HINGES 3 1/2	3
12	BLOCK-MOUNT, RAMP	1
13	BLOCK-MOUNT, RAMP	1
14	BRACKET-SUPPORT	1
15	RECESSED COT CUP	2
16	SUPER SIZED RECESSED COT CUP	1
17	GLIDE STRIP	2
18	PLATE-EXTENSION,SR75	1
19	PLATE-SR75	1
20	KIT-RAMP	1
21	BRACKET-STOP, RAMP	1
22	1/4 X 1/2 UNC TRUSS HD PH SCR	6
23	1/4 X 1 UNC TRUSS HD PH SCR	18
24	1/4 X 1 1/4 UNC TRUSS HD PH SCR	4



223 15TH ST. NE, SIOUX CENTER, IA 51250
1-800-248-3057
www.linkmortuaryequipment.com