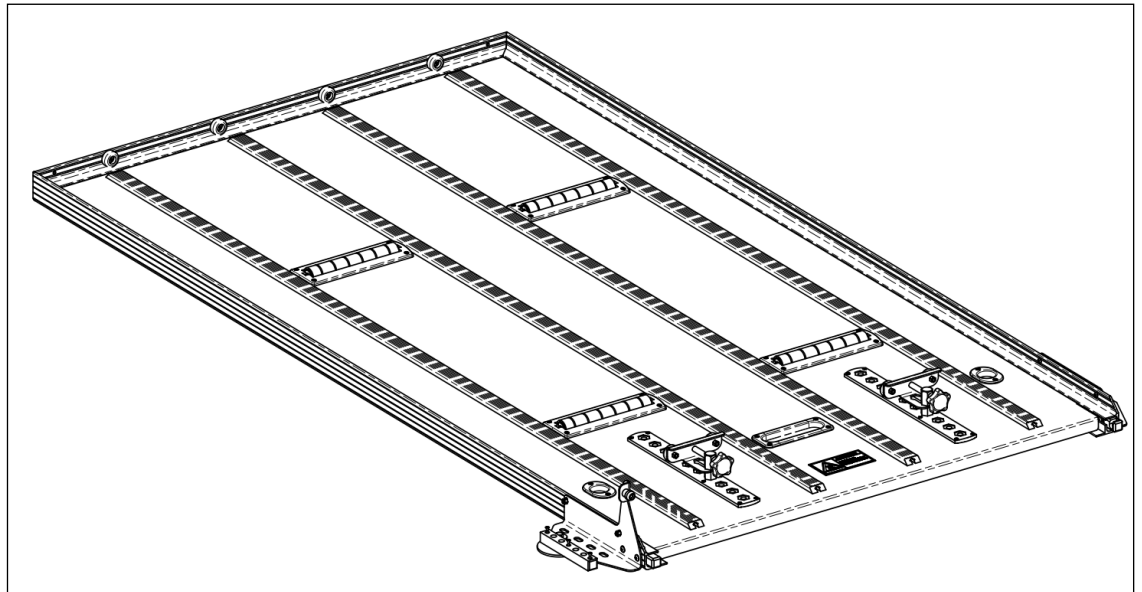


LINK[®] MORTUARY
EQUIPMENT

INSTALLATION INSTRUCTIONS

SS150 XLC SINGLE DECK CARGO VANS



223 15th St. N.E.
Sioux Center, IA USA
51250-2120
www.linkmortuaryequipment.com

**QUESTIONS?
CALL CUSTOMER
SERVICE
1-800-248-3057**

The **Link SS150 XLC** fits most cargo vans.

Estimated weight: 215 lbs.

Link Mortuary Equipment, a division of Link Mfg., Ltd.
www.linkmortuaryequipment.com

71353108
SEPTEMBER 13, 2024


1. INTRODUCTION


Thank you for choosing a Link Mortuary Equipment SS150 XLC for Single Deck Cargo Vans. We want to help you to get the best results from the deck and to operate it safely. This manual contains information to introduce you to the Link SS150 XLC and to assist you with its installation. The manual is intended solely for use with this product.

All information in this manual is based on the latest information available at the time of printing. Link Manufacturing reserves the right to change its products or manuals at any time without notice. Contact Link Mortuary Equipment at (800) 248-3057 for information on recent changes to products.

Damaged components should be returned to Link with a pre-arranged Returned Goods Authorization (RGA) number through the Customer Service Department. The damaged component may then be replaced if in compliance with warranty conditions.

2. SAFETY SYMBOL and NOTES

 WARNING	WARNING indicates a potentially hazardous situation which, if not avoided, could result in death or serious injury.
NOTE:	A Note provides information or suggestions that help you correctly perform a task.

 **WARNING** Link products must be installed by a trained technician when being placed into an Electric Vehicle (EV). Electric Vehicles have higher voltage batteries and cables, and drilling into Electric Vehicles may cause serious bodily harm and possibly death.

NOTE: Link is not responsible for optional configurations or equipment that restrict the installation of the product in any way. Consult OEM body builder guides for additional installation guidelines.

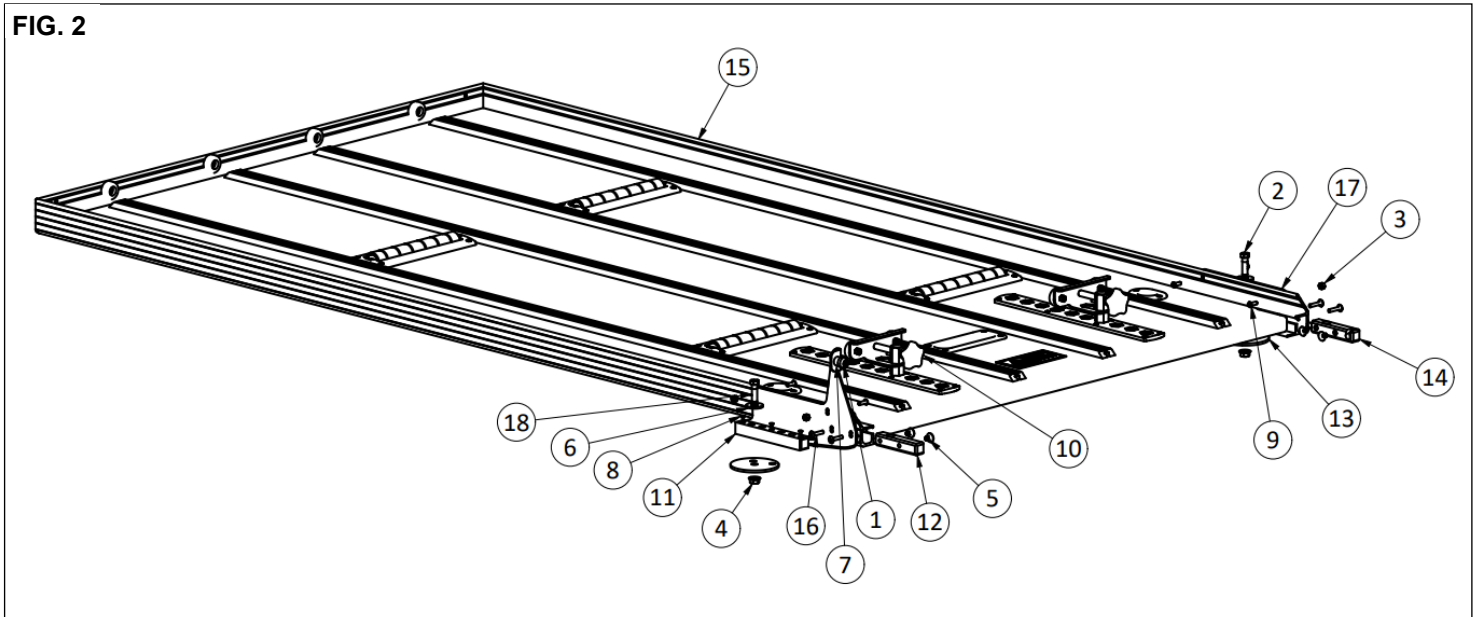
IMPORTANT: Installation of the **SS150 XLC** may vary depending on what type of vehicle you have and how you have it set up. Due to variables in different vehicles, the fit of the **SS150 XLC** should be evaluated before beginning installation.

- A. The **SS150 XLC** is shipped with the *bier pin* and *hardware kit* attached to the deck. Remove these items. The *ramp assembly* is installed backwards for shipping. Remove, reverse, and reinstall the *ramp assembly* as shown in **Fig. 1** on Page 1.
- B. Position the deck with a 1" gap between the rear of the deck and the steel lip on the door frame. Center the deck between the wheel wells. The 4 supplied 1/4" bolts go through the side of the deck and fasten the mounting bracket on each side.
- C. The SS150 XLC is shipped with the *bier pin* and *hardware kit* attached to the deck. Remove these items.
- D. Check all clearance issues. Leave adequate clearance between the deck/ramp and any existing van components.
- E. Check for any interferences under the van to make sure all parts are clear of the underbody components. Once all clearances have been verified, drill the mounting holes through the van floor with a 9/16" drill bit, using the slots in the mounting brackets as a guide. Drill with caution.
- F. Install the stud through the floor and tighten the nuts securely. (See **Fig. 7**).
- G. Recheck the ramp assembly for proper operation.

Maintenance:

- A. Clean with soap and water or window cleaner.
- B. Call Link Mfg. 1-800-248-3057 with any questions or comments.

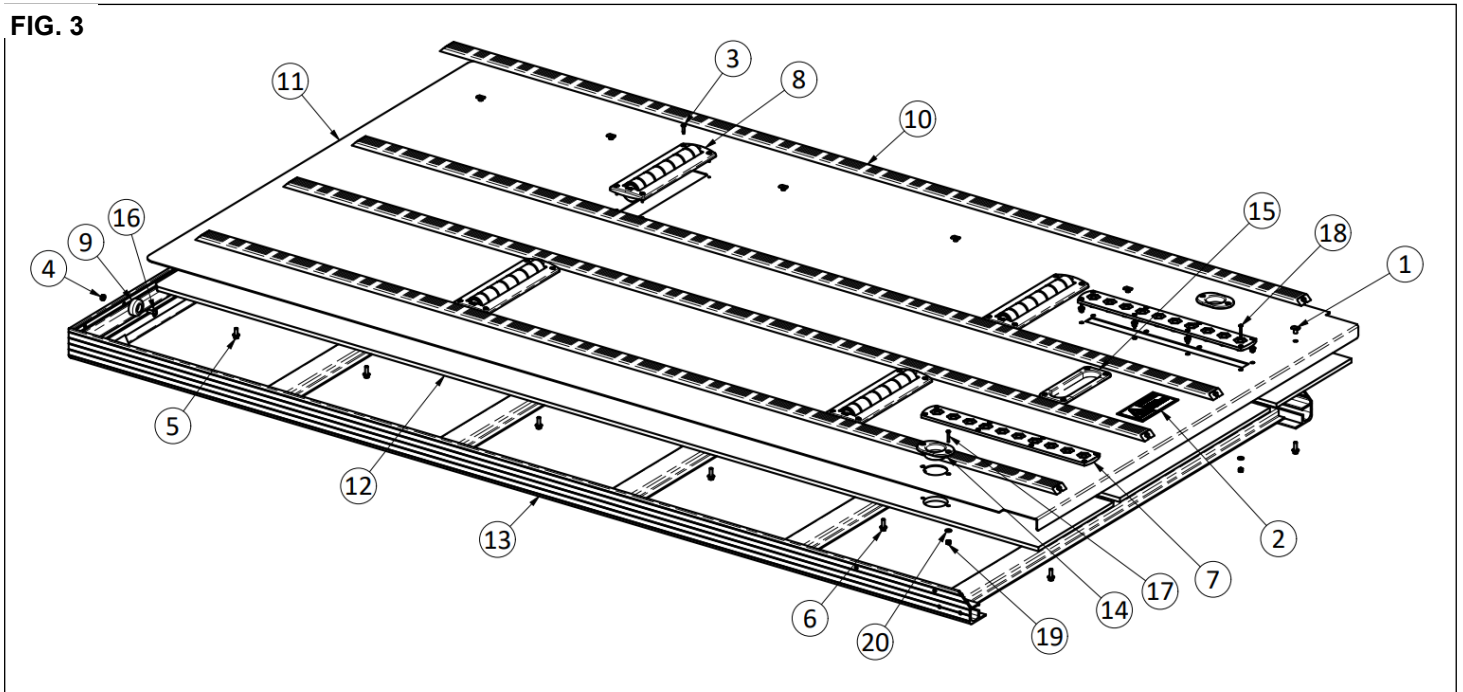
FIG. 2



PARTS LIST FOR SS150 XLC SINGLE DECK (7135D001)

ITEM	DESCRIPTION	QTY	ITEM	DESCRIPTION	QTY
1	1/4 X 1 1/4 UNC HEX CAP SCR (GR 5)	1	10	PIN-BIER, ADJUSTABLE	2
2	7/16 X 1 1/2 UNC HEX CAP SCR (GR 5)	2	11	BIER PIN HOLDER	1
3	1/4 UNC HEX NYLOCK NUT	5	12	TUBE-MOUNT, RAMP	1
4	7/16 UNC SERRATED FLANGE NUT	2	13	WASHER-FLOOR SUPPORT	2
5	NUT 1/4-20 X 7/16 HT PROPELLER TEE	4	14	TUBE-MOUNT, RAMP	1
6	1/2 TYPE A PLAIN WASHER, PHOS & OIL	2	15	DECK-BOTTOM	1
7	RAMP HOLDER, MALE END	1	16	1/4 X 1 1/4 UNC TRUSS HD PH MACH SCREW, SS	4
8	#6 X 1 BULGE HD PHILLIPS SELF DRILLING SCREW	3	17	PASSENGER SIDE DECK MOUNT	1
9	1/4-20 X 3/4 SOCKET BUTTON HD SS CAP SCREW	4	18	MOUNTING BRACKET	1

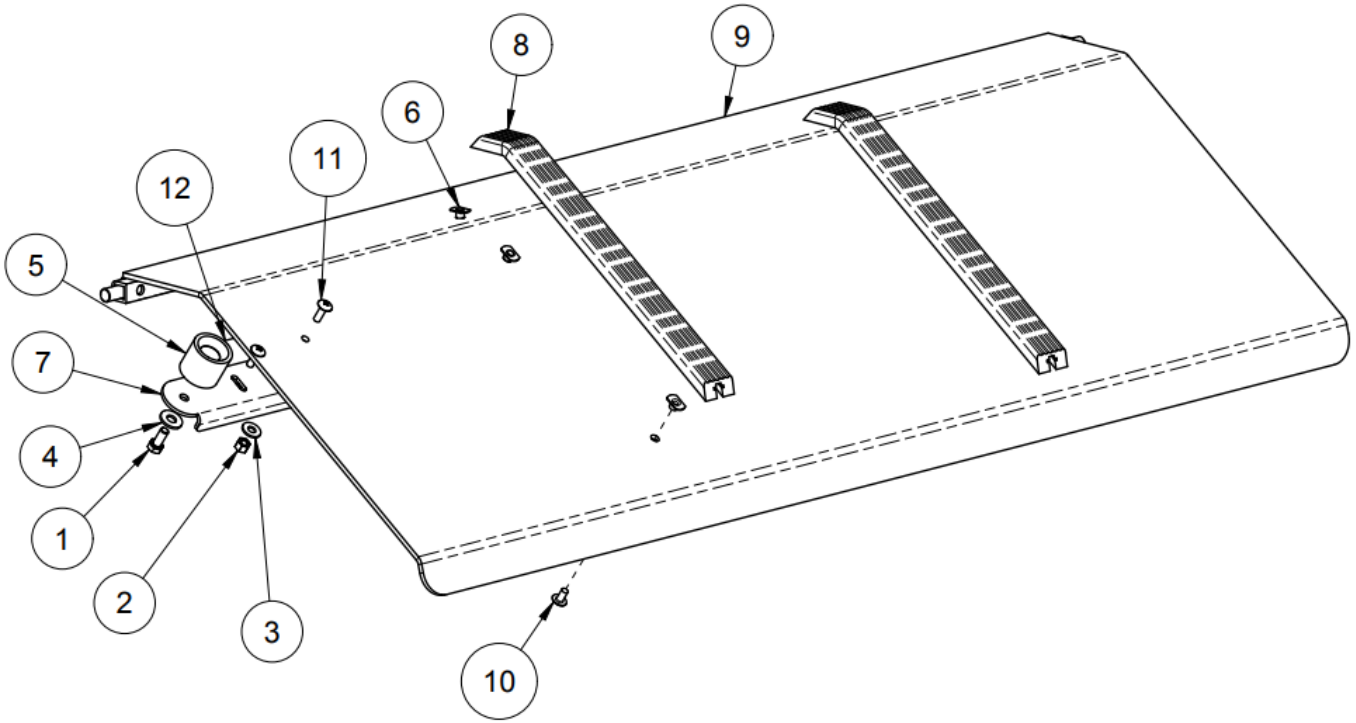
FIG. 3



PARTS LIST FOR SS150 XLC BOTTOM DECK

ITEM	DESCRIPTION	QTY	ITEM	DESCRIPTION	QTY
1	1/4-20 X 7/16 SLAB BASE WELD NUT	24	11	SHEET-DECK	1
2	LABEL-WARNING, DOUBLE DECK	1	12	BOARD-DECK	1
3	#10 X 3/4 CR PAN HEAD SCREW (SELF DRILL)	16	13	DECK BOARD	1
4	1/4 UNC HEX THIN NYLOCK NUT	4	14	RECESSED COT CUP	2
5	1/4 X 5/8 FLANGE HEAD BOLT	4	15	SUPER SIZED RECESSED COT CUP	1
6	1/4 X 3/4 FLANGE HEAD BOLT	20	16	1/4 X 3/4 UNC TRUSS HD PH MACH SCR, SS	4
7	BIER PIN PLATE	2	17	8-32 X 1 OVAL HD MACH SCR-SS	8
8	CR60 CASKET ROLLER	4	18	8-32 X 1 1/4 OVAL HD MACH SCR-SS	16
9	BUMPER-RECESSED, 1.50 O.D. X .63 H	4	19	8-32 UNC HEX NYLOCK NUT, ZINC PLATED	24
10	GLIDE STRIP	4	20	#10 SAE PLAIN WASHER	24

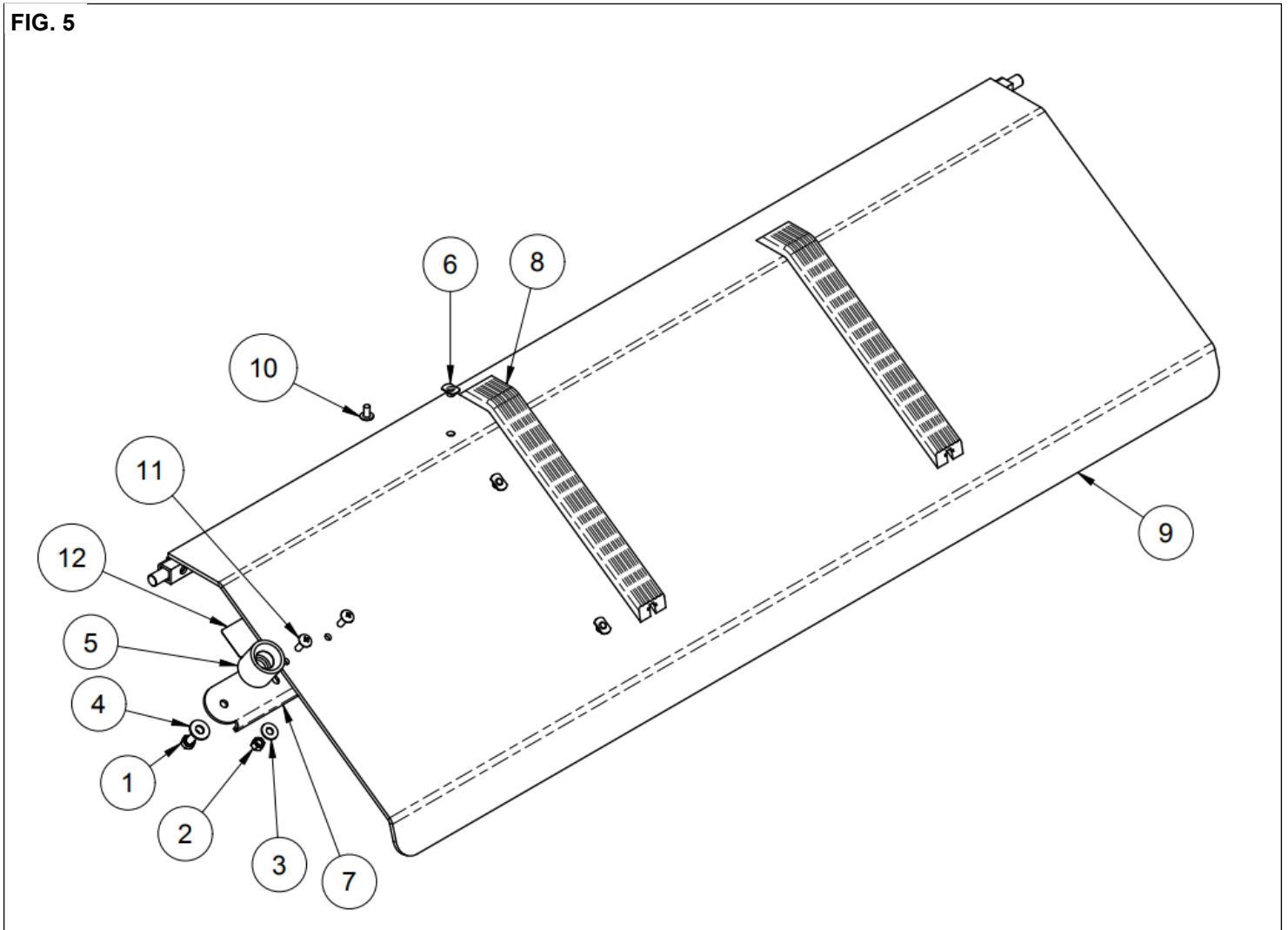
FIG. 4



PARTS LIST FOR THE FORD TRANSIT RAMP KIT (72262004)

ITEM	DESCRIPTION	QTY	ITEM	DESCRIPTION	QTY
1	5/16 X 3/4 UNC HEX CAP SCR (GR 5)	1	7	BRACKET-STOP, RAMP	1
2	1/4 UNC HEX NYLOCK NUT	2	8	GLIDE STRIP	2
3	1/4 TYPE A PLAIN WASHER	2	9	RAMP WELDMENT	1
4	5/16 TYPE A PLAIN WASHER	1	10	1/4 X 1/2 UNC TRUSS HD PH MACH SCR, SS	6
5	RAMP HOLDER, FEMALE END	1	11	1/4 X 3/4 UNC TRUSS HD PH MACH SCR, SS	2
6	1/4-20 X 1/4 SLAB BASE WELD NUT	6	12	LABEL-ID	1

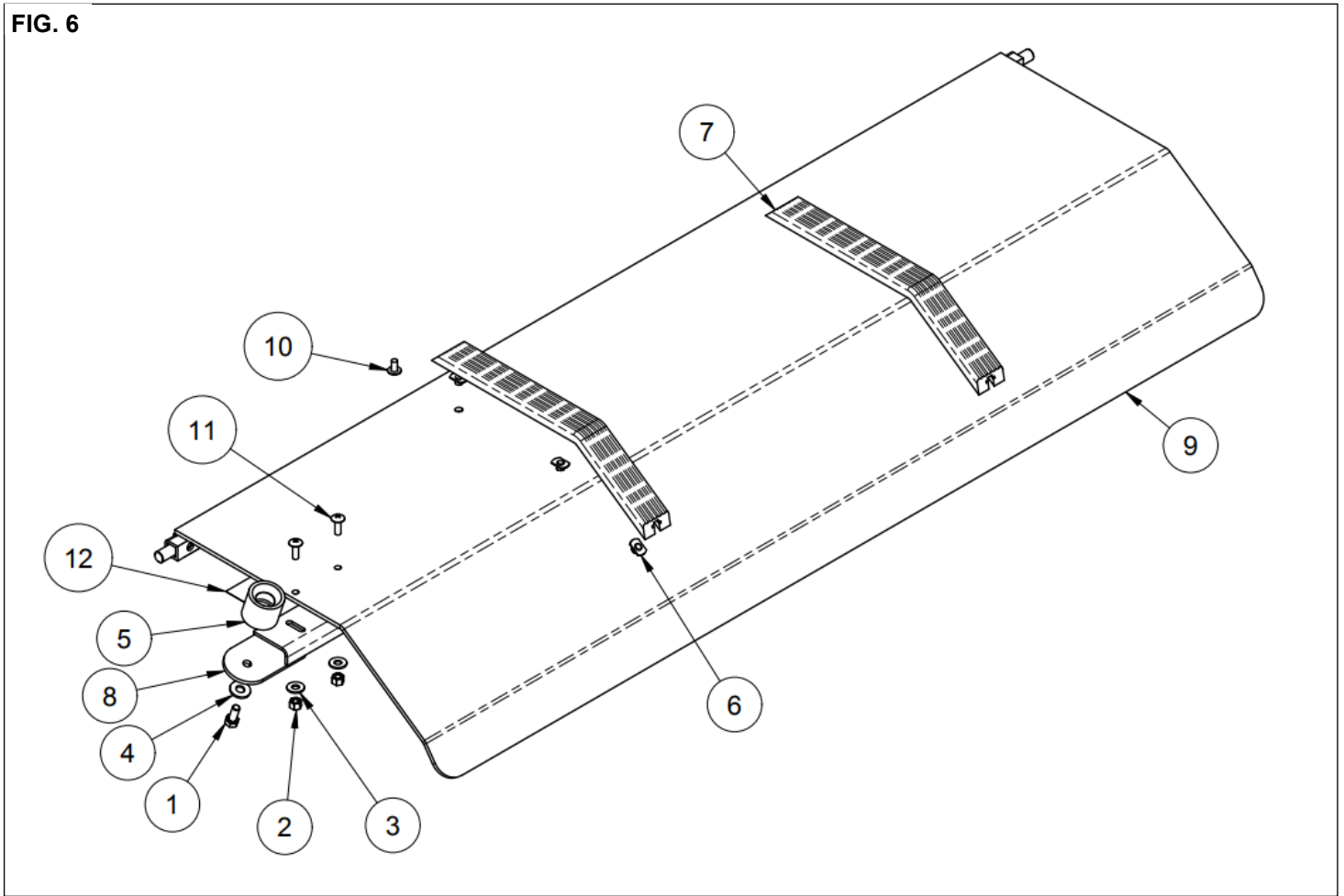
FIG. 5



PARTS LIST FOR THE MERCEDES SPRINTER/ RAM PROMASTER RAMP KIT (72262005)

ITEM	DESCRIPTION	QTY	ITEM	DESCRIPTION	QTY
1	5/16 X 3/4 UNC HEX CAP SCR (GR 5)	1	7	BRACKET-STOP, RAMP	1
2	1/4 UNC HEX NYLOCK NUT	2	8	GLIDE STRIP	2
3	1/4 TYPE A PLAIN WASHER	2	9	RAMP WELDMENT	1
4	5/16 TYPE A PLAIN WASHER	1	10	1/4 X 1/2 UNC TRUSS HD PH MACH SCR, SS	6
5	RAMP HOLDER, FEMALE END	1	11	1/4 X 3/4 UNC TRUSS HD PH MACH SCR, SS	2
6	1/4-20 X 1/4 SLAB BASE WELD NUT	6	12	LABEL-ID	1

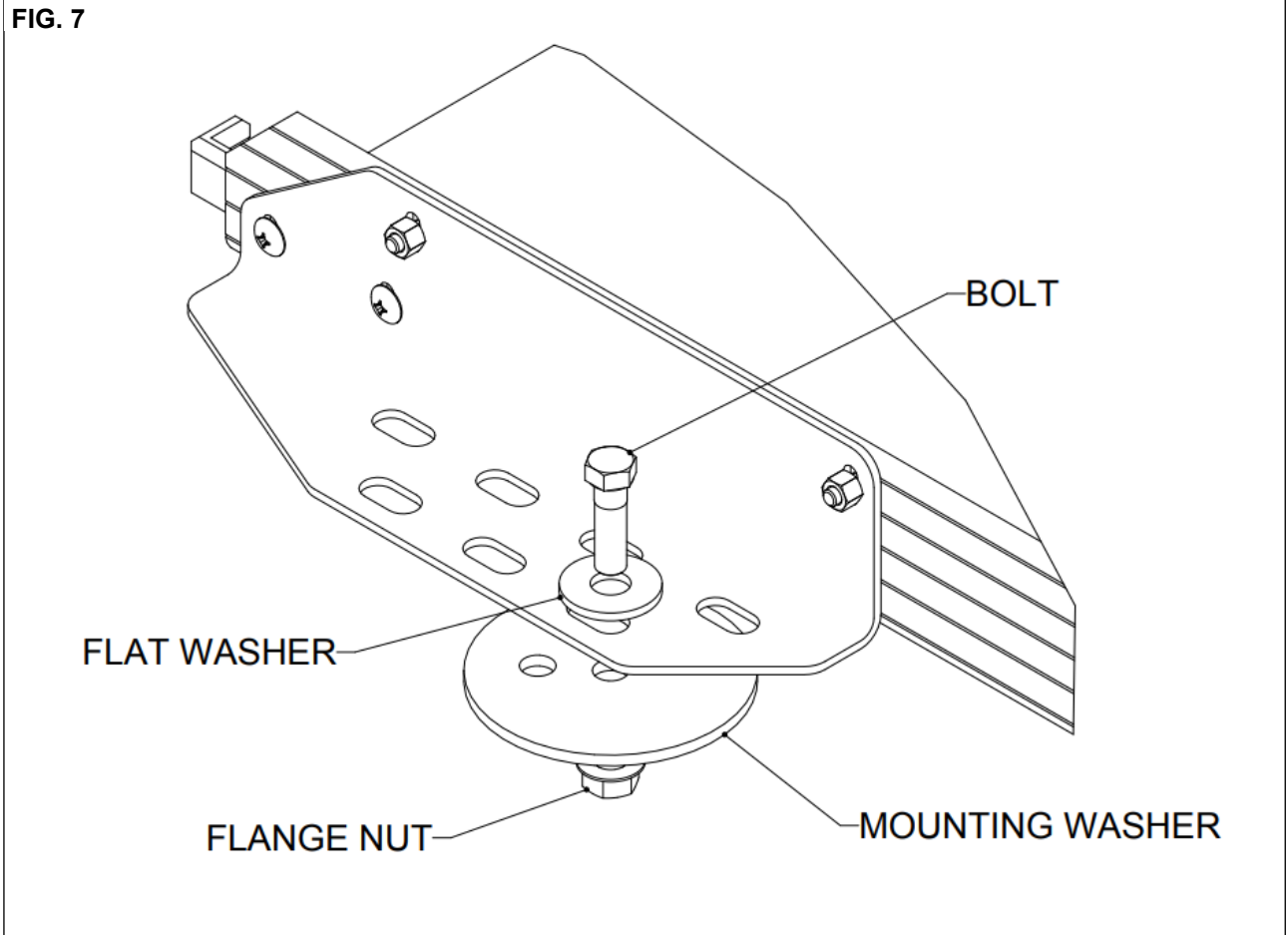
FIG. 6



PARTS LIST FOR THE CHEVY EXPRESS/ GM SAVANA
RAMP KIT (72262006)

ITEM	DESCRIPTION	QTY	ITEM	DESCRIPTION	QTY
1	5/16 X 3/4 UNC HEX CAP SCR (GR 5)	1	7	GLIDE STRIP	2
2	1/4 UNC HEX NYLOCK NUT	2	8	BRACKET-STOP, RAMP	1
3	1/4 TYPE A PLAIN WASHER	2	9	RAMP WELDMENT (GM) STRAIGHT EDGE	1
4	5/16 TYPE A PLAIN WASHER	1	10	1/4 X 1/2 UNC TRUSS HD PH MACH SCR, SS	6
5	RAMP HOLDER, FEMALE END	1	11	1/4 X 3/4 UNC TRUSS HD PH MACH SCR, SS	2
6	1/4-20 X 1/4 SLAB BASE WELD NUT	6	12	LABEL-ID	1

FIG. 7



INSTALLATION HARDWARE KIT

SPECIFICATIONS FOR SS150 XLC SINGLE DECK FOR CARGO VANS

Deck Capacity:

Maximum Length with Ramp Installed	98.6"
Maximum Length without Ramp Installed	95.1"
Maximum Load Width	51.9"

Vehicle Requirements:

Overall Deck Length (with Ramp up)	97.75
Overall Deck Width	58.75"
Weight of Deck	215 lbs
Approximate Height of Deck from ground	32"
Adjustable Bier Pin Available	Standard
Rear Wear Plate	Yes
Removable Ramp	Yes
Tie Down Method	Supplied Brackets Mount to Floor
Install Time	20 Minutes
Warranty	1 Year

*Height may vary depending on vehicle

